

Wind-Sign Waterbase

Technical Guide



121 Wind-Sign Waterbase

Supplied with aluminium 45 mm snap-frames and APET anti-reflex front panels. Mounted with black rubber for protection of water getting into the frame. The foot is a plastic jerry with 2 wheels you can fill with water or sand to make it very heavy. Steel springs.



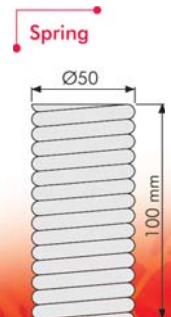
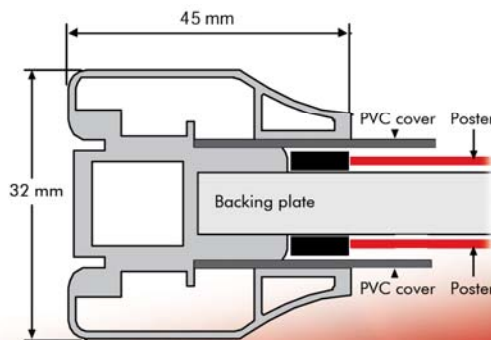
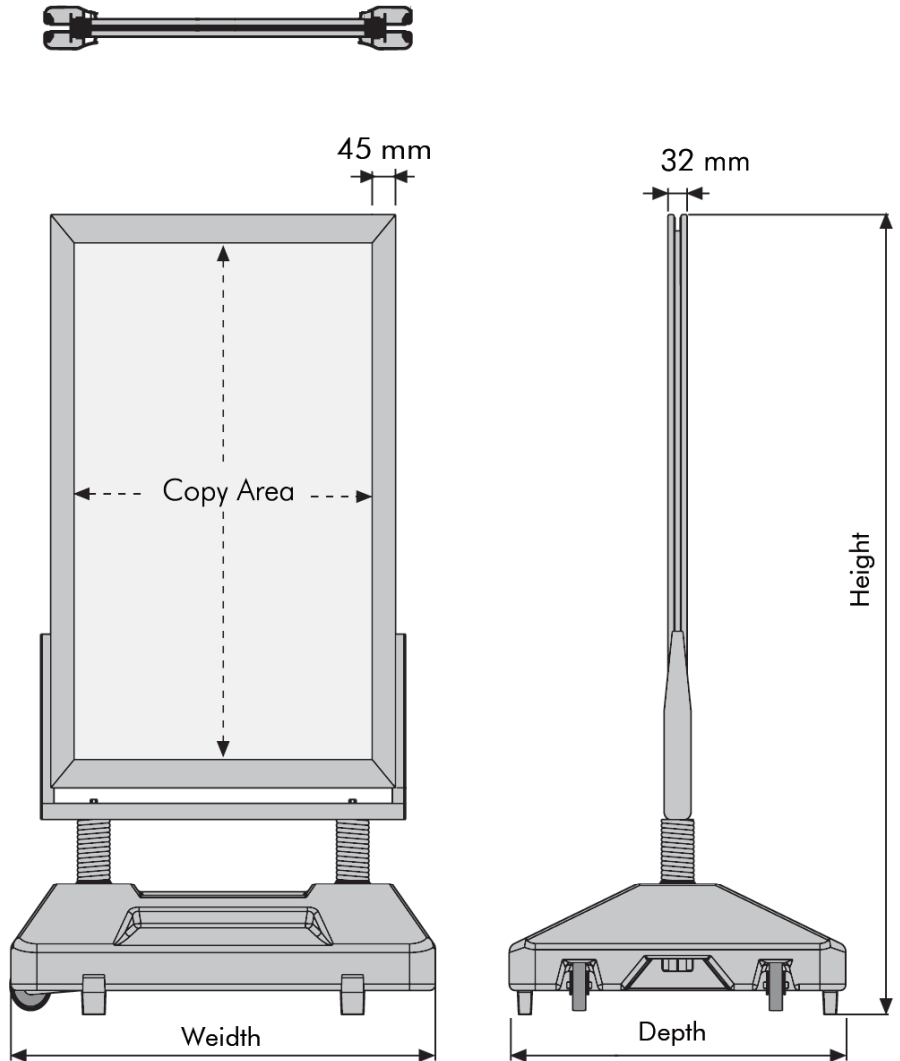
Art.No 4637



Art.No. 4635



Art.No. 4638 & 4636



Art. No.	Poster Size	Color	Total W x H	Package Size	- Weight	Pallet Size	- Quantity
4637	50*70 cm	Alu/Silver	61,2*108*47 cm	65*105*7,5 cm + 85*70*25 cm	20 kg	80*120*220 cm	8 pcs.
4635	59,4*84,1 cm A1	Alu/Silver	70,6*122*47 cm	72*120*7,5 cm + 85*70*25 cm	20 kg	80*120*220 cm	8 pcs.
4638	70*100 cm	Alu/Silver	81,2*141,5*57 cm	80*135*7,5 cm + 85*70*25 cm	34 kg	80*120*220 cm	8 pcs.
4636	84,1*119 cm A0	Alu/Silver	95,3*160*57 cm	95*155*7,5 cm + 85*70*25 cm	34 kg	80*120*220 cm	8 pcs.